

Stainless Steel Pull Handles

Product Features

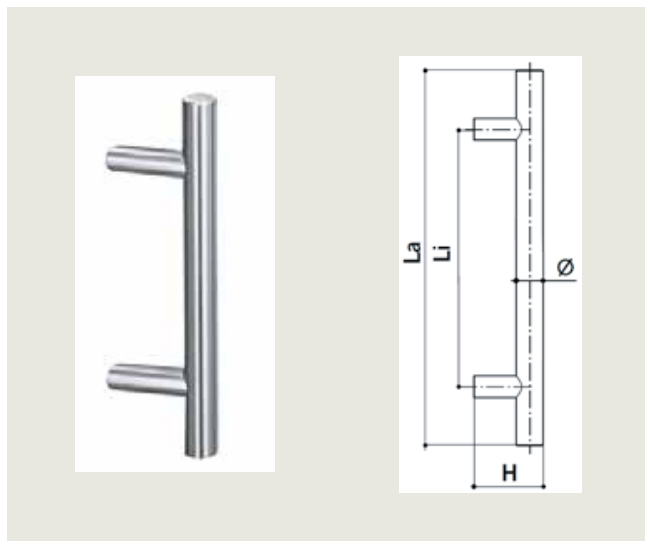
- Fully austenitic 304 grade stainless steel material with drawing or mirror surface treatment
- Length of 350-3000mm can be customised to needs
- Compatible with glass door, timber door and door profiles

Tests and Accreditations

- Undergone cycle life test with 5000 times of 400N pull load
- Certified to EN BS8424 and ANSI 156.6 accreditation standards
- Certified to EN 1670 maximum grade 4 anti-corrosion requirement

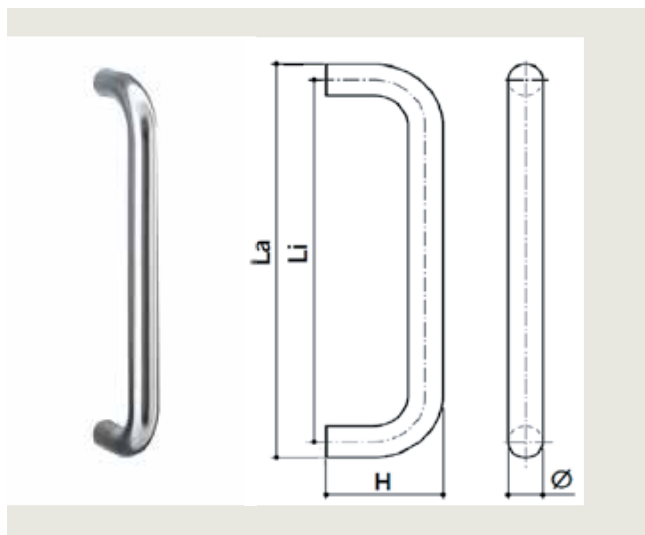


TG-F-8357 (Order No.: 6819968)



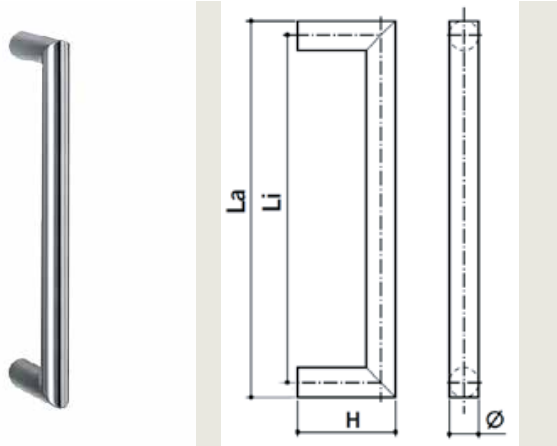
| Diameter (Ø) | Wall Thickness | Length (La) | Central Distance (Li) | Foot Height (H) |
|--------------|----------------|-------------|-----------------------|-----------------|
| 32 | 1.2 | 350 | 200 | 65 |
| 32 | 1.2 | 450 | 300 | 65 |
| 32 | 1.2 | 600 | 400 | 65 |
| 32 | 1.2 | 1000 | 800 | 65 |
| 32 | 1.2 | 1200 | 800 | 65 |
| 38 | 1.5 | 1500 | 1200 | 72 |
| 38 | 1.5 | 1800 | 1600 | 72 |
| 38 | 1.5 | 2000 | 1800 | 72 |
| 38 | 1.5 | 2500 | 2000 | 72 |
| 38 | 1.5 | 3000 | 2500 | 72 |

TG-F-8355 (Order No.: 6819969)



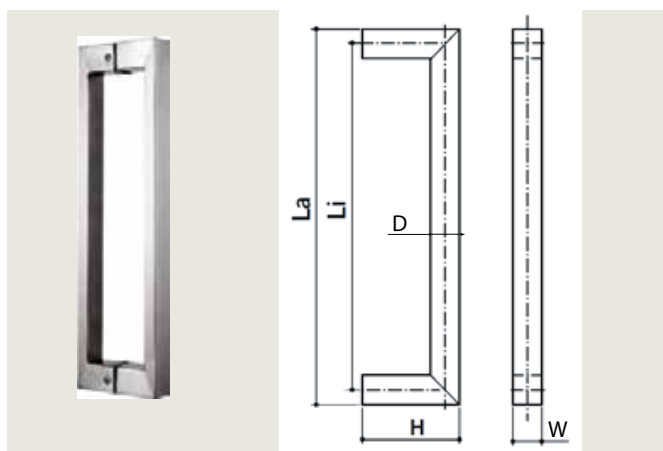
| Diameter (Ø) | Wall Thickness | Length (La) | Central Distance (Li) | Foot Height (H) |
|--------------|----------------|-------------|-----------------------|-----------------|
| 32 | 1.2 | 350 | 318 | 80 |
| 32 | 1.2 | 450 | 418 | 80 |
| 32 | 1.2 | 600 | 568 | 80 |
| 32 | 1.2 | 1000 | 968 | 80 |
| 32 | 1.2 | 1200 | 1168 | 80 |
| 38 | 1.5 | 1500 | 1462 | 90 |
| 38 | 1.5 | 1800 | 1762 | 90 |
| 38 | 1.5 | 2000 | 1962 | 90 |
| 38 | 1.5 | 2500 | 2462 | 90 |
| 38 | 1.5 | 3000 | 2962 | 90 |

TG-F-8335 (Order No.: 6819970)



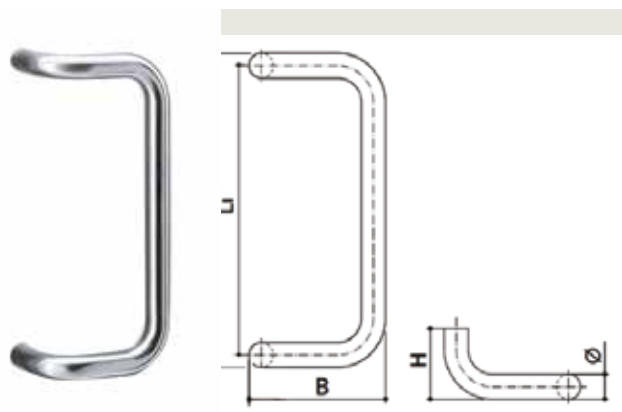
| Diameter (Ø) | Wall Thickness | Length (La) | Central Distance (Li) | Foot Height (H) |
|--------------|----------------|-------------|-----------------------|-----------------|
| 32 | 1.5 | 350 | 318 | 72 |
| 32 | 1.5 | 450 | 418 | 72 |
| 32 | 1.5 | 600 | 568 | 72 |
| 32 | 1.5 | 1000 | 968 | 72 |
| 32 | 1.5 | 1200 | 1168 | 72 |
| 38 | 1.5 | 1500 | 1468 | 72 |
| 38 | 1.5 | 1800 | 1768 | 72 |
| 38 | 1.5 | 2000 | 1968 | 72 |

TG-F-8600 (Order No.: 6819972)



| Diameter (W x D) | Wall Thickness | Length (La) | Central Distance (Li) | Foot Height (H) |
|------------------|----------------|-------------|-----------------------|-----------------|
| 38 x 25 | 1.2 | 475 | 450 | 65 |
| 38 x 25 | 1.2 | 600 | 575 | 65 |
| 38 x 25 | 1.2 | 1200 | 1175 | 65 |
| 38 x 25 | 1.2 | 1500 | 1475 | 65 |
| 50 x 25 | 1.5 | 1800 | 1775 | 80 |
| 50 x 25 | 1.5 | 2000 | 1975 | 80 |
| 50 x 25 | 1.5 | 2500 | 2475 | 80 |
| 25 x 25 | 1.5 | 475 | 450 | 65 |
| 25 x 25 | 1.2 | 600 | 575 | 65 |

TG-F-8357 (Order No.: 6819971)



| Diameter (Ø) | Wall Thickness | Length (La) | Central Distance (Li) | Foot Height (H) | Eccentricity (B) |
|--------------|----------------|-------------|-----------------------|-----------------|------------------|
| 25 | 1.2 | 350 | 325 | 65 | 101 |
| 25 | 1.2 | 450 | 425 | 65 | 101 |
| 32 | 1.2 | 600 | 568 | 80 | 140 |
| 32 | 1.2 | 800 | 768 | 80 | 140 |
| 38 | 1.2 | 1000 | 962 | 90 | 160 |
| 38 | 1.5 | 1200 | 1162 | 90 | 160 |

Measurement Unit: mm

| Compatible Door Type | Illustration | Installation Method |
|---------------------------------------|--------------|---|
| Glass door, timber door, door profile | | Bilateral Installation |
| Glass door, timber door, door profile | | Unilateral diametric perforation installation |
| Timber door | | Unilateral concealed installation |